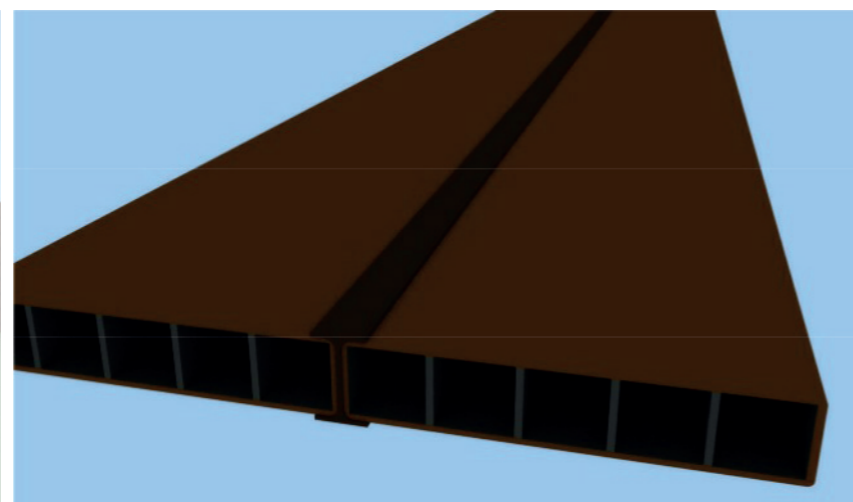
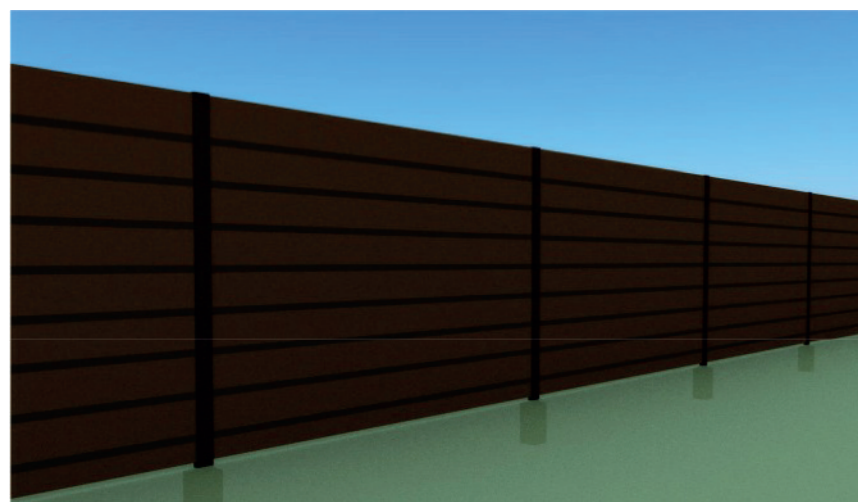
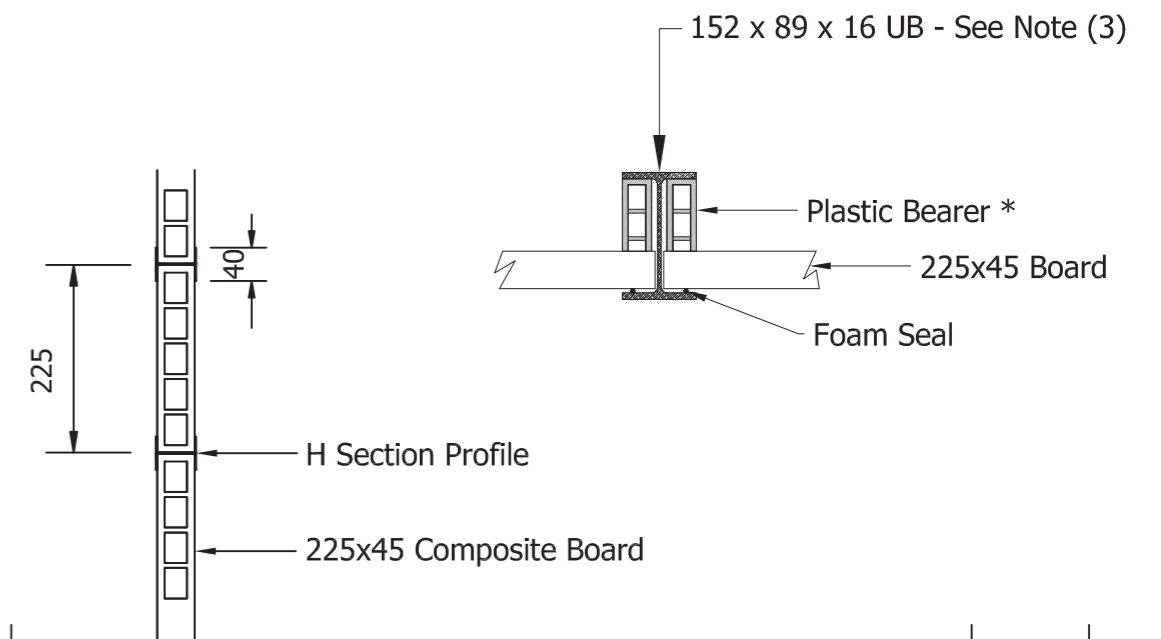
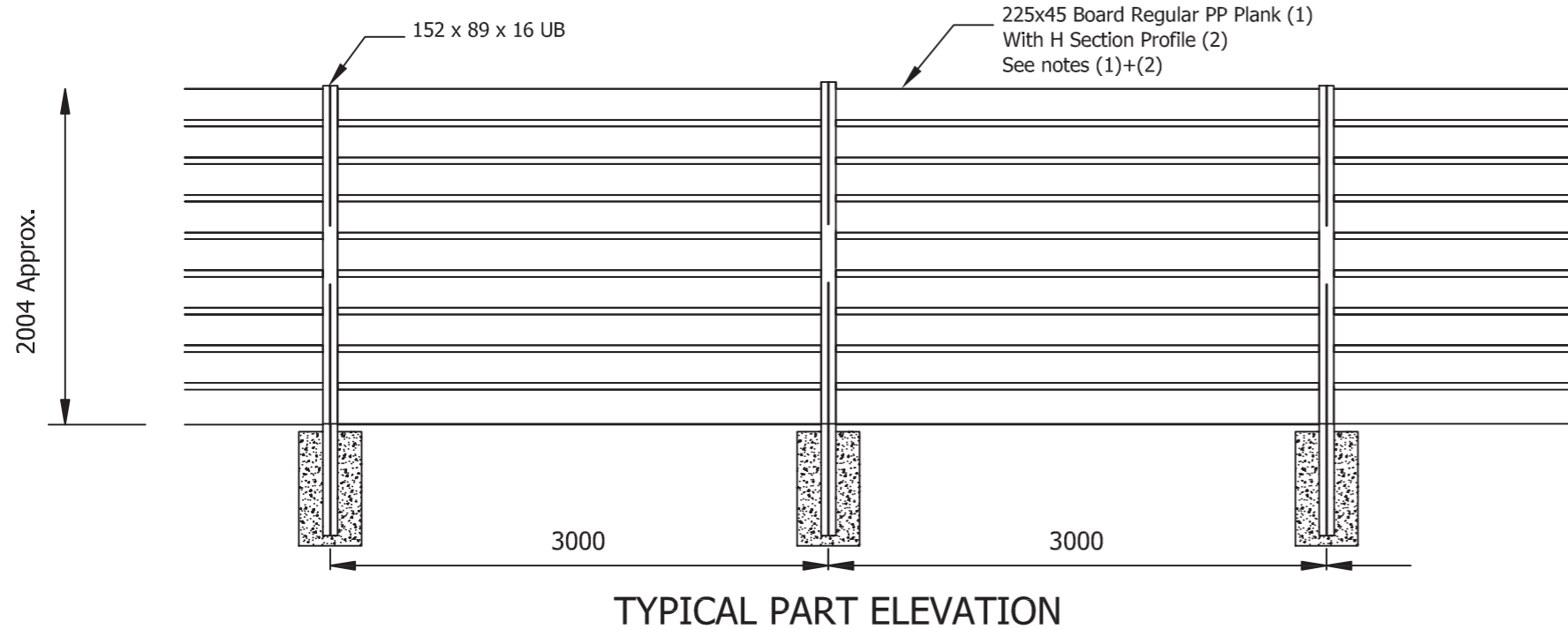



\* Dimension to suit final post dimensions

NOTES:

- (1) MATERIALS OF CONSTRUCTION RECYCLED  
POLYPROPYLENE 60% WT CHOPPED  
STRAND GLASS FIBRE 40% WT  
UVSTABILISED HDPE OUTERSKIN IN  
BROWN.
- (2) UPVC UVSTABILISED IN BROWN.
- (3) POST DIMENSIONS SUBJECT TO FINAL  
DESIGN



Revision	Description	By	Date
-	-	-	-
STATUS:			
 Tilon Ltd. Unit 23, Rassau Industrial Estate, Ebbw Vale, Blaenau Gwent, Wales, UK, NP23 5SD		Tel: +44 (0) 1495 300 030	
CONTRACTOR:		Design	DS 02/02/07
		Checked	
		Scale	NTS
DRAWING TITLE: <b>TILON Acoustics Modular Reflective Panel</b>			
PROJECT:		Project No.	Drawing No. Rev.
			-